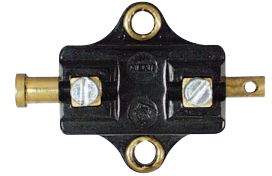


auto electrical parts

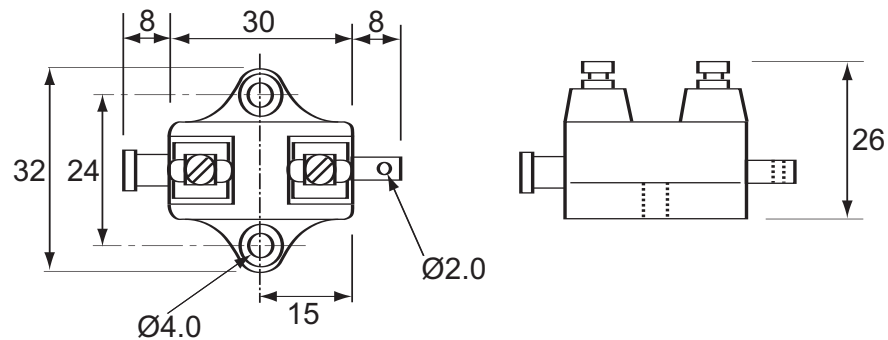
Technical Information Sheet

Part No. 0-579-50

Brake light switch, single pole, normally closed with screw terminals. Can be pushed or pulled, to open the circuit. Rated 4 amps at 12 volts dc. Supplied with rubber boot.



Technical Drawing (not to scale)



Specification

Type	Brake light switch
Voltage rating	12/24 volt dc
Current	4 amp @ 12 volt dc
Terminals	Screw
Switch throw	~3mm to break contact
Weight	15g
Dimensions	l 46 x w 32 x h 26mm

The information contained in this document is correct to the best of our knowledge at the time of printing. However, specifications may change at any time without notice.